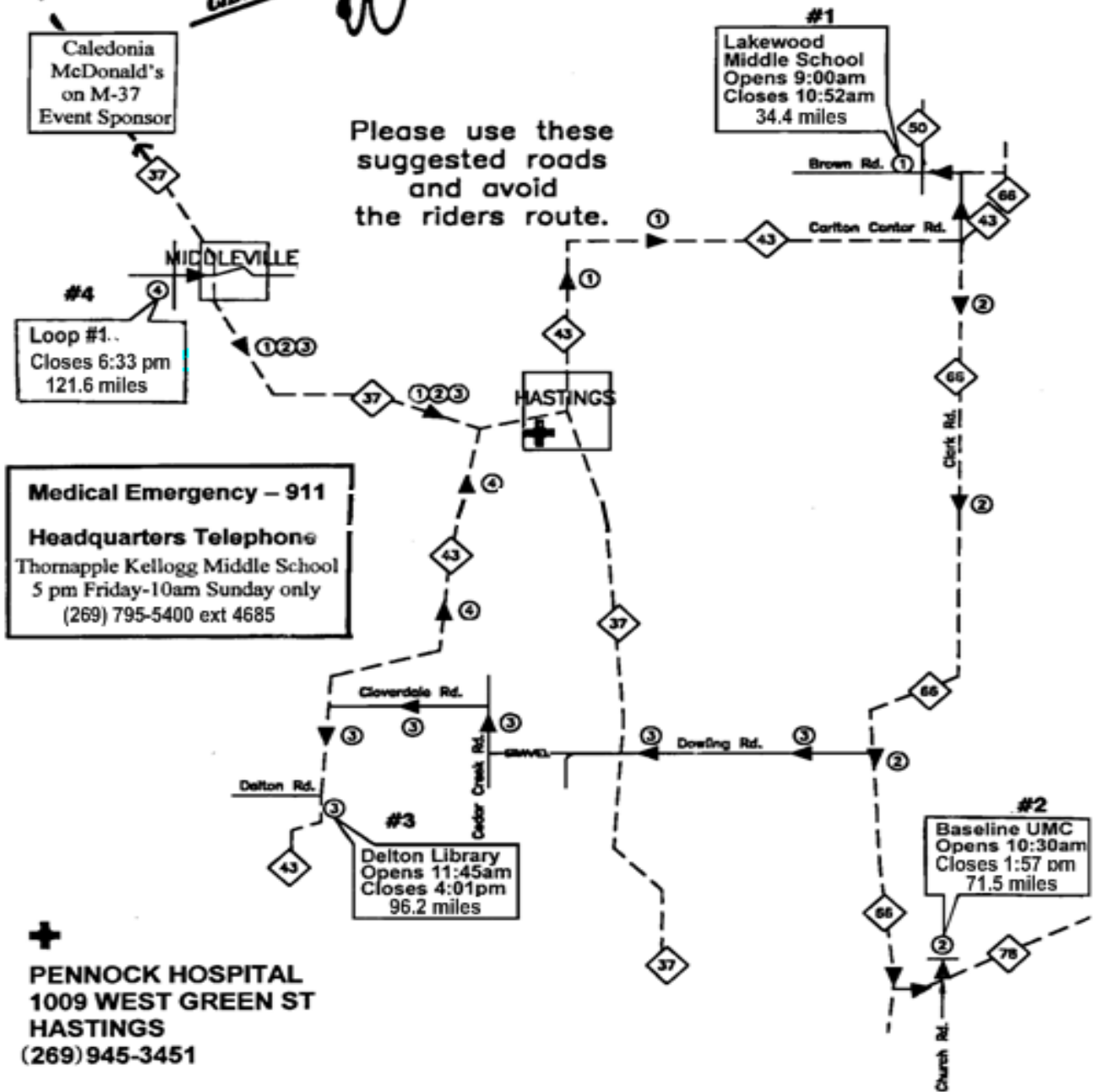


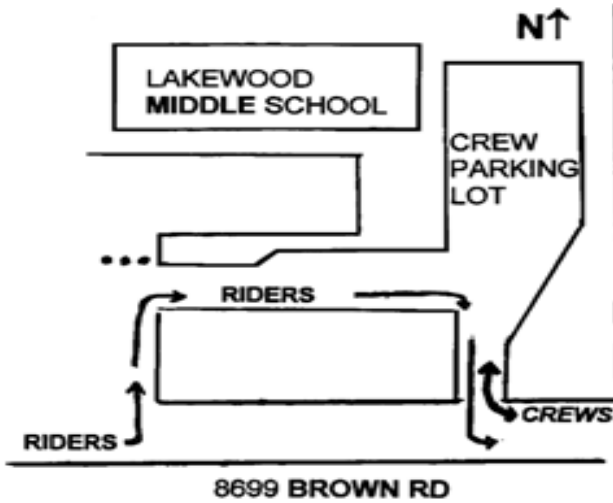
**NATIONAL  
24-HOUR  
CHALLENGE**



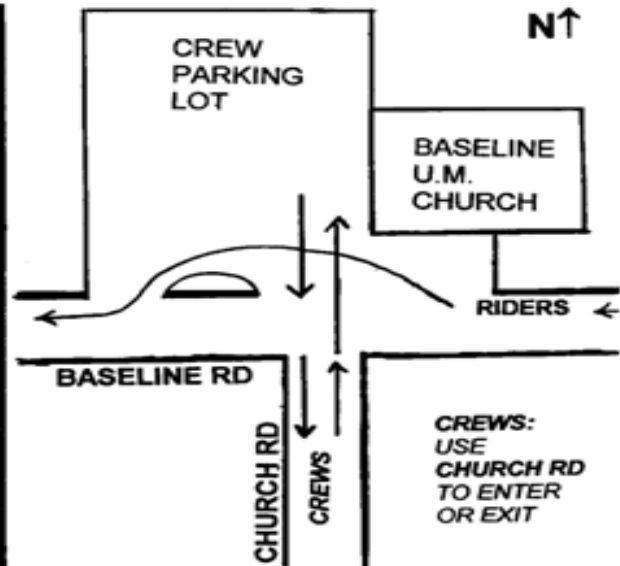
**CREW MAP**

Crews may meet their riders **ONLY** at designated checkpoints





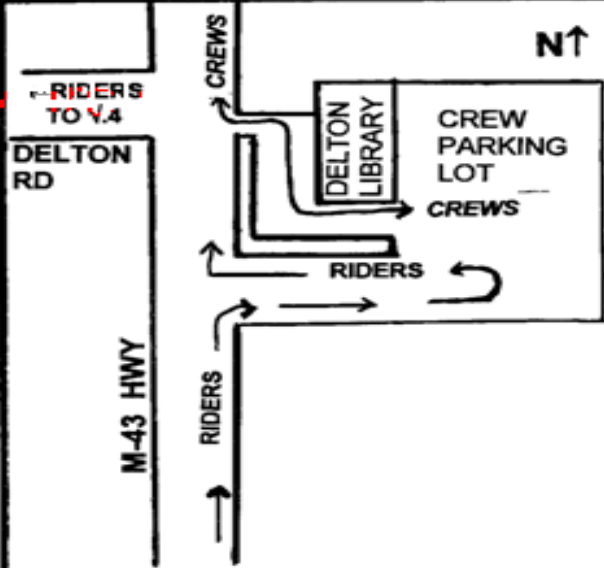
**CHECKPOINT 1  
LAKWOOD SCHOOL**



**CHECKPOINT 2  
BASELINE UM CHURCH**



**CHECKPOINT 4  
THORNAPPLE-KELLOGG MS**



**CHECKPOINT 3  
DELTON LIBRARY**